



BSI **Euro Mortise Locks** consists the range of comprehensive functions that meet most security and locking application.

Standards

Compliance to PrEN12209-1 and BS 5872:1980 Standards. CNACL certified and AS 1530.4-2005 Standard, Fire Tested to GB 7633-1987 standard.

Standard Finishes

Satin Stainless Steel - SSS



Application

BSI Euro Mortise Lock series is favorable for metal, fire doors and wood doors. The innovative and a non handed mechanism is extremely easy to install and suitable for new and retrofit applications.

Door Thickness

Door thickness from 30mm to 50mm, provided with the standard screw pack. Extended screw pack is also available for extra length.

Fixing / Pitching

Euro Profile mortise lock suits 72mm pitching Mortise Locksets.

Materials

Latch Bolt, Deadbolt, Faceplate are all made of Stainless Steel.



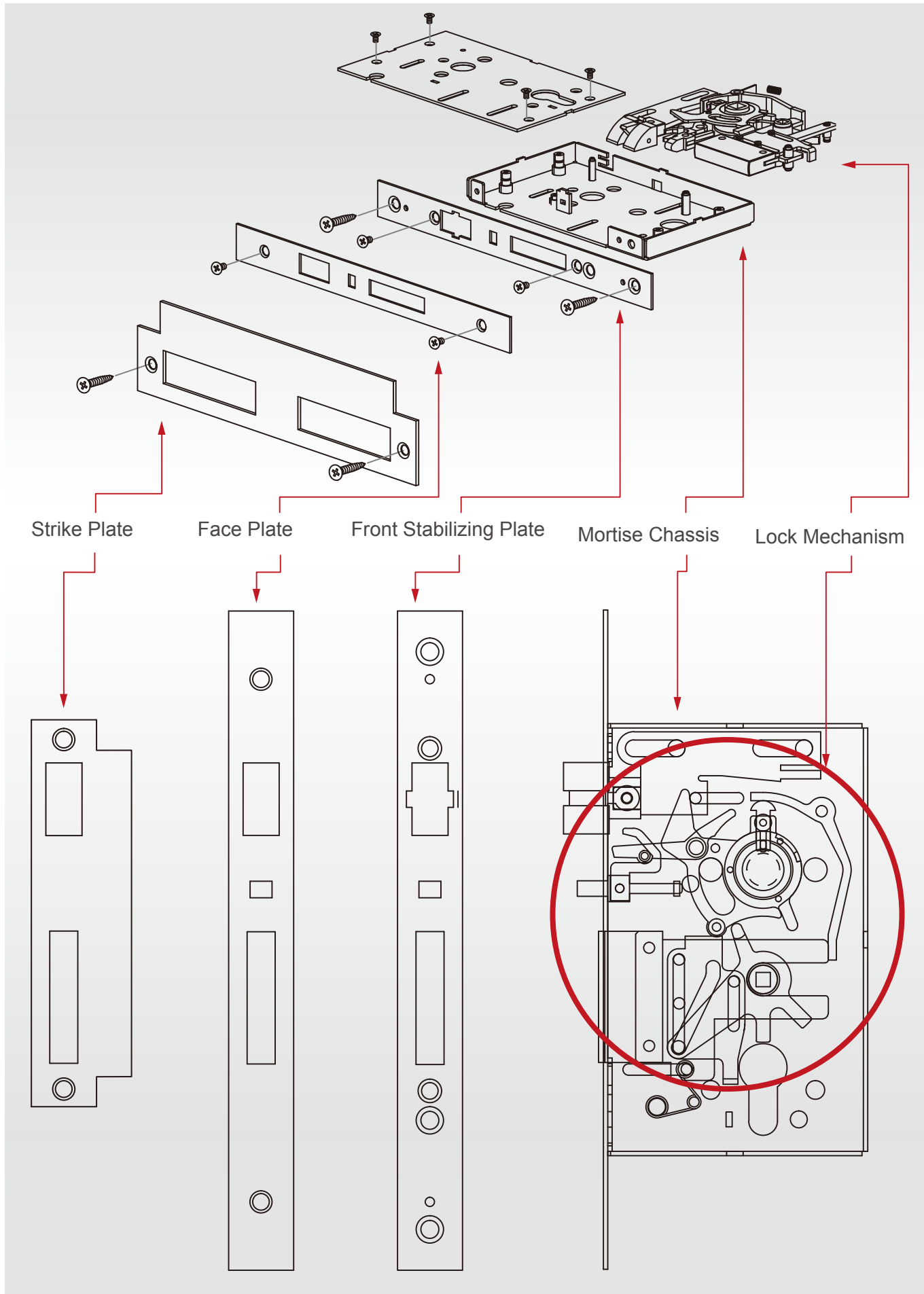
Strength & Durability

Euro profile mortise lock made from quality materials, 500,000 operation cycles has been tested.

Keying

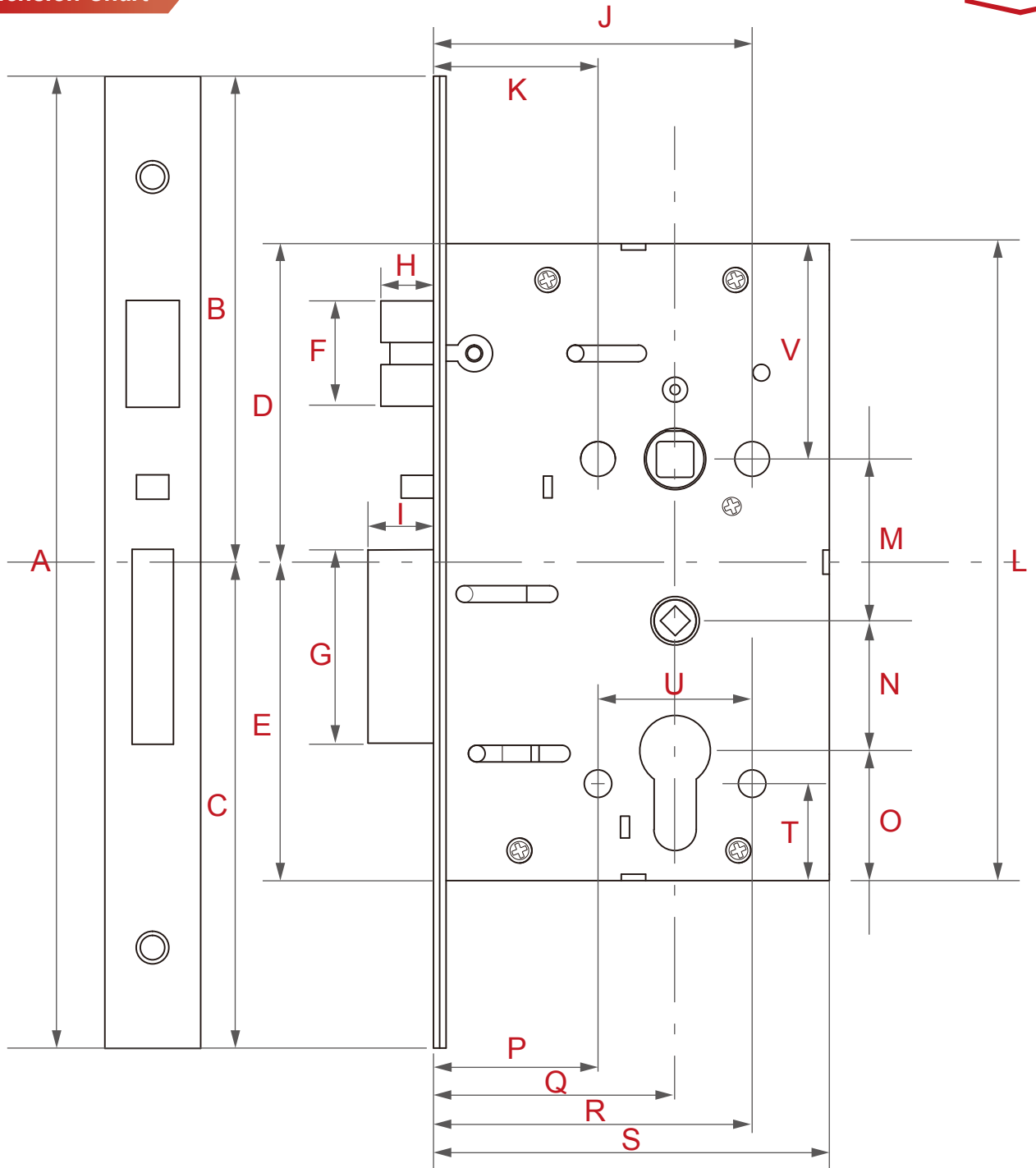
Standard Euro Profile Cylinders and key system is selectable.

Diagram





Dimension Chart



A	B	C	D	E	F	G	H
240.0mm	120.0mm	120.0mm	78.6mm	78.6mm	26.2mm	47.5mm	14.5mm
9.449"	4.724"	4.724"	3.094"	3.094"	1.030"	1.870"	0.571"
I	J	K	L	M	N	O	P
21.5mm	79.1mm	42.2mm	157.2mm	40.5mm	33.7mm	33.7mm	41.0mm
0.848"	3.113"	1.661"	6.189"	1.593"	1.325"	1.325"	1.616"
Q	R	S	T	U	V		
61.0mm	78.5mm	100.6mm	24.0mm	39.8mm	54.8mm		
2.402"	3.091"	3.961"	0.945"	1.566"	2.157"		

Lock Function



Model No.	Function	Diagram	Description	Strike & Mortise
MT6901	Passage or Closet Latch		<ul style="list-style-type: none"> Latch bolt retracted by lever from either side at all times. 	
MT6904	Entry Lock		<ul style="list-style-type: none"> Latch bolt retracted by lever from either side unless outside lever is made inoperative by operating toggle button. When outside lever is locked, latch bolt is retracted by key outside or by lever inside. Auxiliary latch deadlocks latch bolt when door is closed. 	
MT6905	Classroom Lock		<ul style="list-style-type: none"> Latch bolt retracted by lever from either side unless outside lever is locked from outside. When outside lever is locked, unlocked from outside by key or by inside lever. Inside lever always free for immediate exit. Auxiliary latch deadlocks latch bolt when door is closed. 	
MT6907	Storeroom or Closet Lock		<ul style="list-style-type: none"> Latch bolt retracted by key outside or by lever inside. Outside lever is always inoperative. Auxiliary latch deadlocks latch bolt when door is closed. 	
MT6909	Apartment, Exit or Public Toilet Lock		<ul style="list-style-type: none"> Latch bolt retracted by lever from either side unless outside lever is locked by key from inside. When outside lever is locked, latch bolt retracted by key outside or lever inside. Auxiliary latch deadlocks latch bolt when door is closed. 	
MT6911	Dormitory or Exit Lock		<ul style="list-style-type: none"> Latch bolt retracted by lever from either side unless outside lever is made inoperative by operating toggle button. Dead bolt projected by key from either side. Dead bolt retracted by key outside. Operating inside lever retracts both dead bolt and latch bolt simultaneously. 	

Lock Function



Model No.	Function	Diagram	Description	Strike & Mortise
MT6913	Dormitory or Exit Lock		<ul style="list-style-type: none"> • Latch bolt retracted by lever from either side. • Dead bolt thrown or retracted by key outside or thumbturn inside. • Operating inside lever retracts both dead bolt and latch bolt simultaneously. 	
MT6914	Store Door Lock		<ul style="list-style-type: none"> • Latch bolt retracted by lever from either side. • Dead bolt extended or retracted by key from either side. 	
MT6916	Deadlock		<ul style="list-style-type: none"> • Dead bolt operated by key from either side. 	
MT6917	Deadlock		<ul style="list-style-type: none"> • Dead bolt thrown or retracted by key outside or thumbturn inside. 	
MT6918	Deadlock		<ul style="list-style-type: none"> • Dead bolt thrown or retracted by key from outside. • No trim on opposite side. 	



Lock Function

Model No.	Function	Diagram	Description	Strike & Mortise
MT6919	Privacy Bedroom or Bath Lock		<ul style="list-style-type: none"> • Latch bolt operated by lever from either side. • Dead bolt operated by turn from inside and emergency release from outside. • Operating inside lever retracts both bolts. 	
MT6920	Apartment Corridor Door Lock		<ul style="list-style-type: none"> • Latch bolt retracted by lever from either side unless outside lever is made inoperative by operating toggle button. • Dead bolt projected or retracted by key outside or thumbturn inside. • Key outside or inside lever can operate both bolts. • Latch bolt is deadlocked when outside lever is made inoperative or when dead bolt is projected. • When dead bolt is retracted, outside lever is unlocked by toggle button. 	
MT6921	Room Door Lock		<ul style="list-style-type: none"> • Latch bolt retracted by lever from either side. • Dead bolt projected or retracted by key outside or thumbturn inside. 	
MT6922	Privacy, Bedroom or Bath Lock		<ul style="list-style-type: none"> • Latch bolt retracted by lever from either side unless outside lever is locked by inside thumbturn. • Operating inside lever or closing door unlocks outside lever. To unlock from outside, remove emergency plate and insert a Philips tip screwdriver into the spindle hole then turn it. 	
MT6963	Engine Room Lock		<ul style="list-style-type: none"> • Latch bolt thrown or retracted by key from outside. • Inside cylinder turn retracts dead bolt but cannot project it. 	

Lock Function



Model No.	Function	Diagram	Description	Strike & Mortise
MT6965	Closet or Storeroom Lock		<ul style="list-style-type: none"> ● Latch bolt retracted by lever from either side. ● Deadbolt extended or retracted by key outside. 	
MT6982	Institution Lock		<ul style="list-style-type: none"> ● Latch bolt retracted by key from either side. ● Levers on both sides are always inoperative. ● Auxiliary latch deadlocks latch bolt when door is closed. 	
MT6985	Hotel Guest Lock		<ul style="list-style-type: none"> ● Latch bolt retracted by key outside or by lever inside. ● Outside lever is always inoperative. ● Dead bolt thrown or retracted by inside thumbturn. ● When dead bolt is thrown, all keys become inoperative except emergency or display keys. ● Turning inside lever retracts both dead bolt and latch bolt simultaneously. ● Auxiliary latch deadlocks latch bolt when door is closed. 	
MT6985A	Entrance Lock		<ul style="list-style-type: none"> ● Latch bolt retracted by lever from either side unless outside lever is locked by key from outside. ● Dead bolt operated by key outside or inside thumbturn. ● Key outside can operate both bolts. ● Turning inside lever can retract both dead bolt and latch bolt simultaneously. ● Deadbolt thrown or retracted by inside thumbturn. ● When dead bolt thrown by inside thumbturn, outside lever become inoperative. ● Auxiliary latch deadlocks latch bolt when door is closed. 	
MT6986	All Purpose Lock		<ul style="list-style-type: none"> ● Latch bolt retracted by lever from either side unless outside lever is locked by operating toggle button. ● Dead bolt operated by key outside or inside thumbturn. ● Key outside can operate both bolts. ● Turning inside lever can retract both dead bolt and latch bolt simultaneously. ● To lock toggle button, outside lever is inoperative. ● To unlock toggle button, outside lever is operative. ● Latch bolt is deadlocked when outside lever is made inoperative or when dead bolt is projected. ● When dead bolt is retracted, outside lever is unlocked by toggle button. ● Auxiliary latch deadlocks latch bolt when door is closed. 	